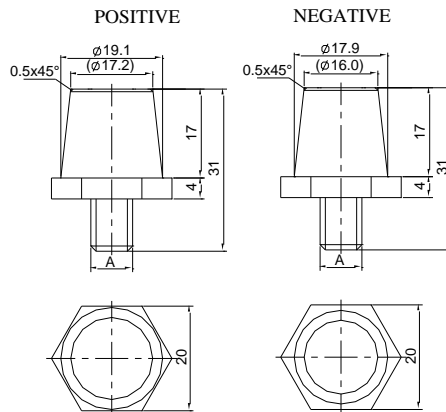


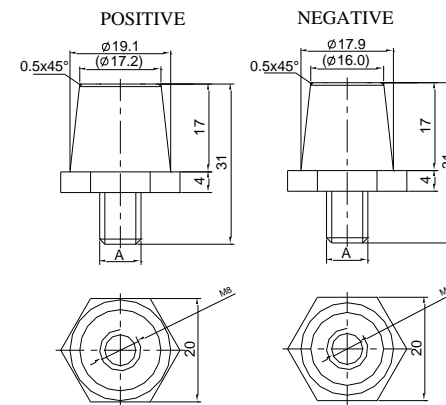
# Terminal Adaptor and Other Accessories

## TP01(TP02) Brass Adaptor: M8(M6) –AP Terminal



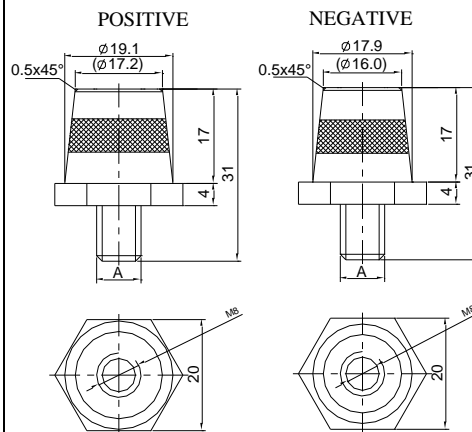
Terminal TYPE	A	Torque N.m
TP01	M8	9.6-10.7
TP02	M6	3.9-5.4

## TP04(TP05) Brass Adaptor: M8(M6) –A01 Terminal



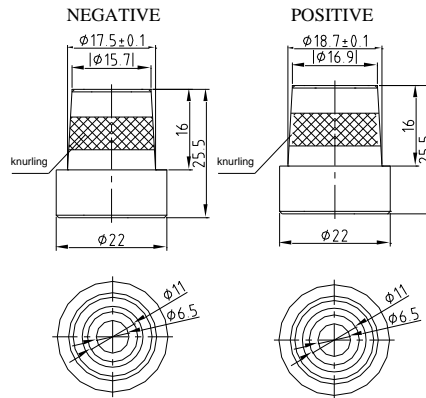
Terminal TYPE	A	Torque N.m
TP04	M8	9.6-10.7
TP05	M6	3.9-5.4

## TP07(TP08) Brass Adaptor: M6(M8) –A01 Terminal , with knurling



Terminal TYPE	A	Torque N.m
TP07	M6	3.9-5.4
TP08	M8	9.6-10.7

**TP26 Brass Adaptor: M6 –A01 Terminal**



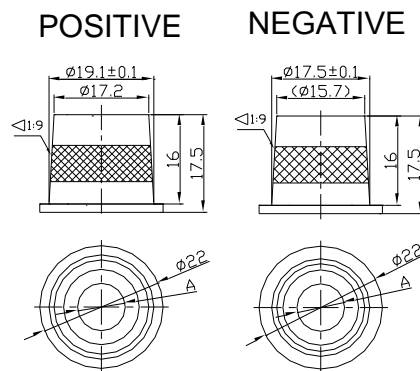
Terminal  
TYPE

Torque  
N.m

M6

3.9-5.4

**TP28(TP29) Brass Adaptor: M8(M6) –A01 Terminal**



Terminal  
TYPE

A

Torque  
N.m

TP28

M8

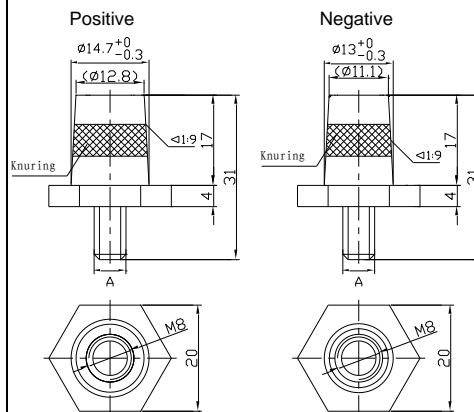
9.6-10.7

TP29

M6

3.9-5.4

**TP17(TP18) Brass Adaptor: M6(M8) –A01 Terminal , with knurling(JIS Standard)**



Terminal  
TYPE

A

Torque  
N.m

TP17

M6

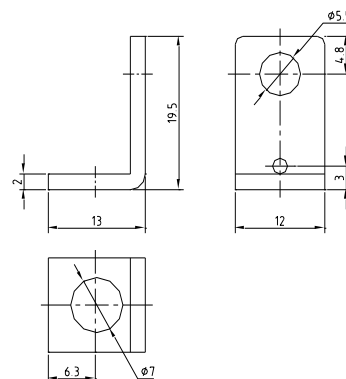
3.9-5.4

TP18

M8

9.6-10.7

**Post adaptors: Brass coated with tin; A better fit for your HC20 equipped motorcycle**



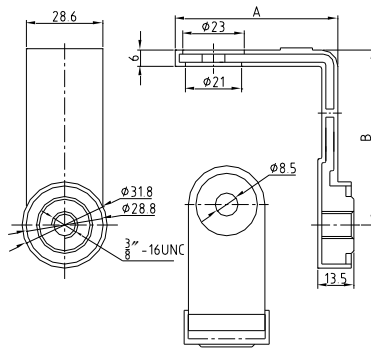
Terminal  
TYPE

Torque  
N.m

FP17

3.9-5.4

**FR45(FR46) : 3/8" x 16 female receptacle side terminals(For HC65,HC75 only)**



Terminal TYPE	A	B	Torque N.m
FR45 (3/8"-UNC)	42	61	7.9-10.1
FR46 (3/8"-UNC)	60.8	64.5	7.9-10.1